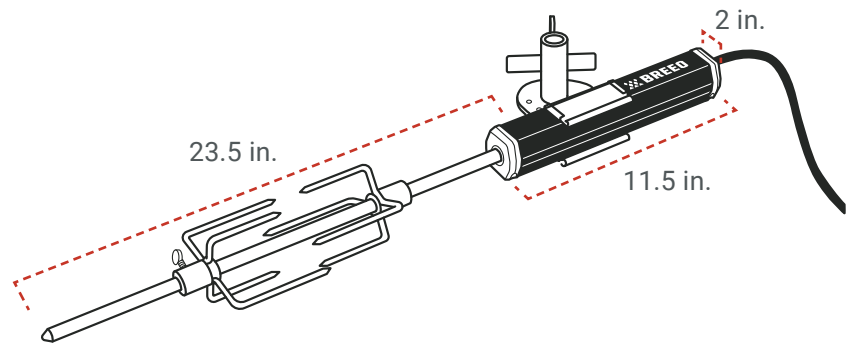


# ROTISSERIE

## SPECIFICATIONS

SKU: BR-ROTIS



THE ULTIMATE LIVE-FIRE COOKING TOOL

### UNIT:

#### Material:

304 Stainless Steel Prongs & Mount  
Solid Cast Aluminum Body  
High Temp Silicone Outer Sleeve

**Weight:** 4 lbs

**Max Turn Weight:** 20 lbs

#### Includes:

Prongs, Battery Pack, Motor,  
AC Adapter & Cable

Designed in Lancaster, PA.

Produced with a Trusted Partner Overseas.

### DIMENSIONS:

**Rotisserie Length:** 11.5 in.

**Rotisserie Width:** 2 in.

**Rotisserie Height:** 2 in.

**Prongs Length:** 23.5 in.

**Prongs Width:** 4.25 in.

**Prongs Diameter:** 0.5 in.

**Mount Width:** 3.5 in.

**Mount Height:** 4 in.

**Mount Diameter:** 1.05 in.

### COMPATIBLE:

**Outpost Rod**

**Flat Basket**

**Tumble Basket**

**Skewers**



**BREEO.COM**

©2025 Breoo LLC. All rights reserved. 04/25